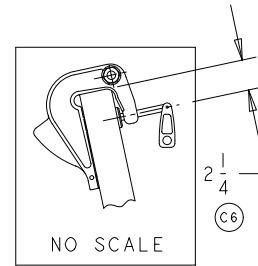
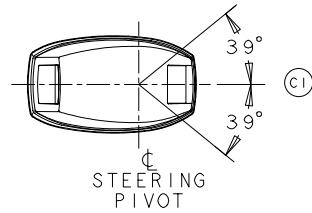
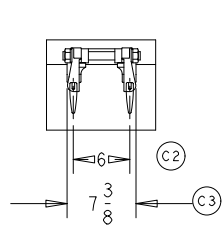


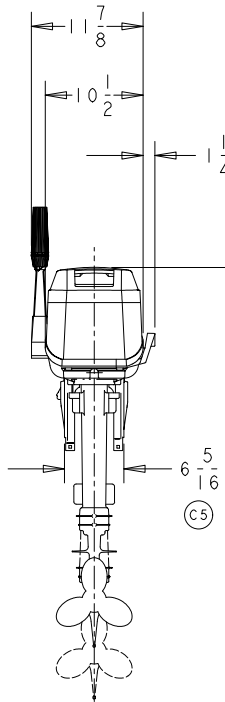
MODEL
6-15 HP
& SEA PRO

SHORT SHAFT	LONG SHAFT
----------------	---------------



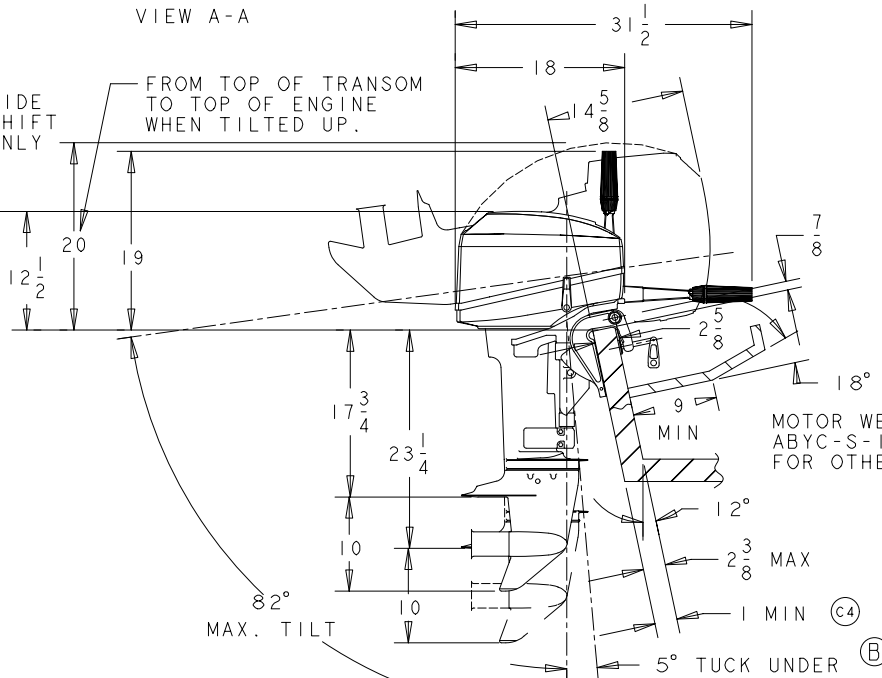
LET.	DRAWING RELEASE OR BRIEF DESCRIPTION OF CHANGE	BY	DATE	E.C.N. NO.
C	1) 39° WAS 43°	TDB	5-14-93	67638
	2) ADDED 6			
	3) ADDED 7 3/8			
	4) ADDED 1 MIN			
	5) ADDED 6 5/16			
	6) ADDED 2 1/4			

COMPUTERIZED DOCUMENT
NO MANUAL REVISIONS PERMITTED

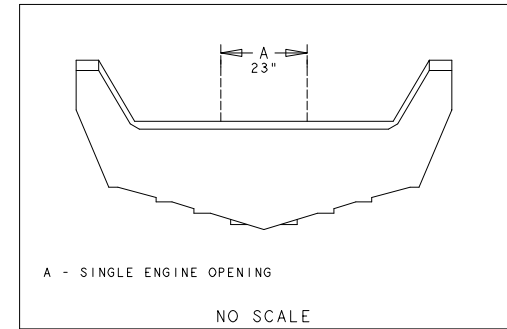


VIEW A-A

FROM TOP OF TRANSOM TO TOP OF ENGINE WHEN TILTED UP.



MOTOR WELL: SEE ABYC-S-12 STANDARD FOR OTHER DIMENSIONS



NO SCALE

MERCURY MARINE	DR. BY JDS
DIV. OF BRUNSWICK CORP.	DATE 3-13-89
FOND DU LAC, WIS. 54935	SHT. OF

TITLE
MERCURY / MARINER
INSTALLATION DRAWING
(6 - 15 H.P.)

SCALE 1:12	PART NO. 90-815258-1
---------------	-------------------------

TILT POSITION IS BASED ON A 12° TRANSOM ANGLE. A TRANSOM WITH AN ANGLE GREATER THAN 12° WILL REDUCE THE MAXIMUM TILT ANGLE AND INCREASE KICK UNDER ANGLE.